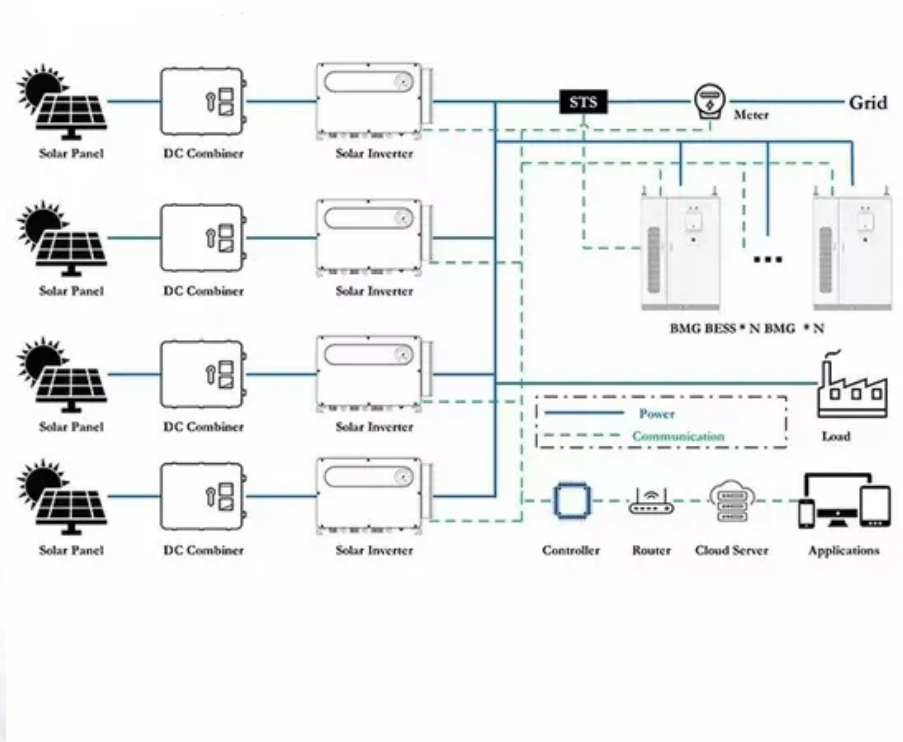


NKOSITHANDILEB SOLAR

How much does a 15MWh smart photovoltaic energy storage container for bridges cost



Overview

How much does a solar energy storage system cost?

PVMars lists the costs of 1mwh-3mwh energy storage system (ESS) with solar here (lithium battery design). The price unit is each watt/hour, total price is calculated as: $0.2 \text{ US\$} * 2000,000 \text{ Wh} = 400,000 \text{ US\$}$. When solar modules are added, what are the costs and plans for the entire energy storage system?

Click on the corresponding model to see it.

How many solar panels should a 1MWh energy storage system have?

Therefore, PVMARS recommends that a 1MWh energy storage system be equipped with 500kW solar panels, and the calculation is as follows: You have a 550W solar panel and average about 4 hours of sunlight per day. It is also necessary to increase the power generation capacity by about 1MWh to supply residents' electrical loads during the day.

What is included in a solar energy storage system (ESS)?

Each ESS includes: Battery rack and wiring (LFP). PVMARS's 2MW PV panel + 6.25mwh lithium battery backup system can be used by more than 1,000 local households. It is a large-scale community-type commercial solar battery energy storage system (BESS) project.

What are the different types of solar energy storage systems?

Below are 10kW-500kW wind power plant, solar power plant, and hybrid solar wind system prices for your option. 1MWh - 3MWh solar energy storage system is widely used in house communities, irrigation, villages, farms, hospitals, factories, airports, schools, hotels (holiday homes), farms, remote suburbs, etc.

How much does a 15MWh smart photovoltaic energy storage contain?

PVMars lists the costs of 1mwh-3mwh energy storage system (ESS) with solar here (lithium battery design). The price unit is each watt/hour, total price is calculated as: $0.2 \text{ US\$} * 2000,000 \text{ Wh} = 400,000 \text{ US\$}$. When solar modules are added, what are the costs and plans for the entire energy storage system? Click on the corresponding model to see it.

Therefore, PVMARS recommends that a 1MWh energy storage system be equipped with 500kW solar panels, and the calculation is as follows: You have a 550W solar panel and average about 4 hours of sunlight per day. It is also necessary to increase the power generation capacity by about 1MWh to supply residents' electrical loads during the day.

Each ESS includes: Battery rack and wiring (LFP). PVMARS's 2MW PV panel + 6.25mwh lithium battery backup system can be used by more than 1,000 local households. It is a large-scale community-type commercial solar battery energy storage system (BESS) project.

Below are 10kW-500kW wind power plant, solar power plant, and hybrid solar wind system prices for your option. 1MWh - 3MWh solar energy storage system is widely used in house communities, irrigation, villages, farms, hospitals, factories, airports, schools, hotels (holiday homes), farms, remote suburbs, etc.

A battery energy storage system container (or simply energy storage container) combines batteries, power conversion, thermal control, safety, and management into a ...

Let's cut to the chase: container energy storage systems (CESS) are like the Swiss Army knives of the power world--compact, versatile, and surprisingly powerful. With the ...

As renewable energy continues to grow, staying abreast of market and technological advancements can ensure that consumers ...

A battery energy storage system container (or simply energy storage container) combines batteries, power conversion, thermal control, ...

Wondering what a solar container system costs? Explore real-world price ranges, components, and examples to understand what ...

As renewable energy continues to grow, staying abreast of market and technological advancements can ensure that consumers make informed and financially sound decisions. ...

Solar Installed System Cost Analysis NLR analyzes the total costs associated with installing photovoltaic (PV) systems for residential rooftop, commercial rooftop, and utility-scale ...

1MWh-3MWh Energy Storage System With Solar Cost How much does a 1mwh-3mwh energy storage system with solar cost? PVMars lists the costs of 1mwh-3mwh energy storage system ...

Solar Installed System Cost Analysis NLR analyzes the total costs associated with installing photovoltaic (PV) systems for residential ...

Wondering what a solar container system costs? Explore real-world price ranges, components, and examples to understand what impacts total cost--and if it's worth the ...

Learn about solar energy storage costs, what influences prices, and ways to cut costs while maximizing savings with your solar system. Read on for more!

Learn about solar energy storage costs, what influences prices, and ways to cut costs while maximizing savings with your solar system. ...

Introduction: The Ever-Changing Cost of Battery Energy Storage Systems (BESS) Battery Energy Storage Systems (BESS) are a game-changer in renewable energy. How ...

In this article, we break down typical commercial energy storage price ranges for different system sizes and then walk through the key cost drivers behind those ...

Explore market trends, pricing, and applications for solar energy storage containers through 2025. Learn about key cost drivers, ...

Explore market trends, pricing, and applications for solar energy storage containers through 2025. Learn about key cost drivers, technological advancements, and practical uses in ...

Contact Us

For catalog requests, pricing, or partnerships, please contact:

NKOSITHANDILEB SOLAR

Phone: +27-11-934-5771

Email: info@nkosithandileb.co.za

Website: <https://www.nkosithandileb.co.za>

Scan QR code to visit our website:

